

OCP ORV2 Compliant Power Shelf

Data Sheet

Total Output Power:
6600 W

Open Compute Project (OCP), Open Rack v.2 ORV2



SPECIAL FEATURES

- Redundant (2+1) output 6600W at 12.6V with active share
- Houses 3x3300W power modules and 3x3600W Lithium Ion battery back up modules
- Open Compute Project (OCP) compliant
- 3 phase 200-277V input

Artesyn Embedded Power introduces 6,600W V2 power shelf which is powered from a three phase system and has a 12V main output. The power shelf includes three 3,300W (N+1) hot swappable V2 power modules and three battery back up units. The backup is provided by battery back up modules which are installed in the same shelf.

This power shelf is typically used for compute and storage applications to provide reliable power and battery back up functions.

COMPLIANCE

- IEC EN 61000-4-2 Cat A for surges
- IEC61000-3-2 Class A for harmonics
- FCC Part B for EMC

SAFETY

- UL 60950
- IEC 60950

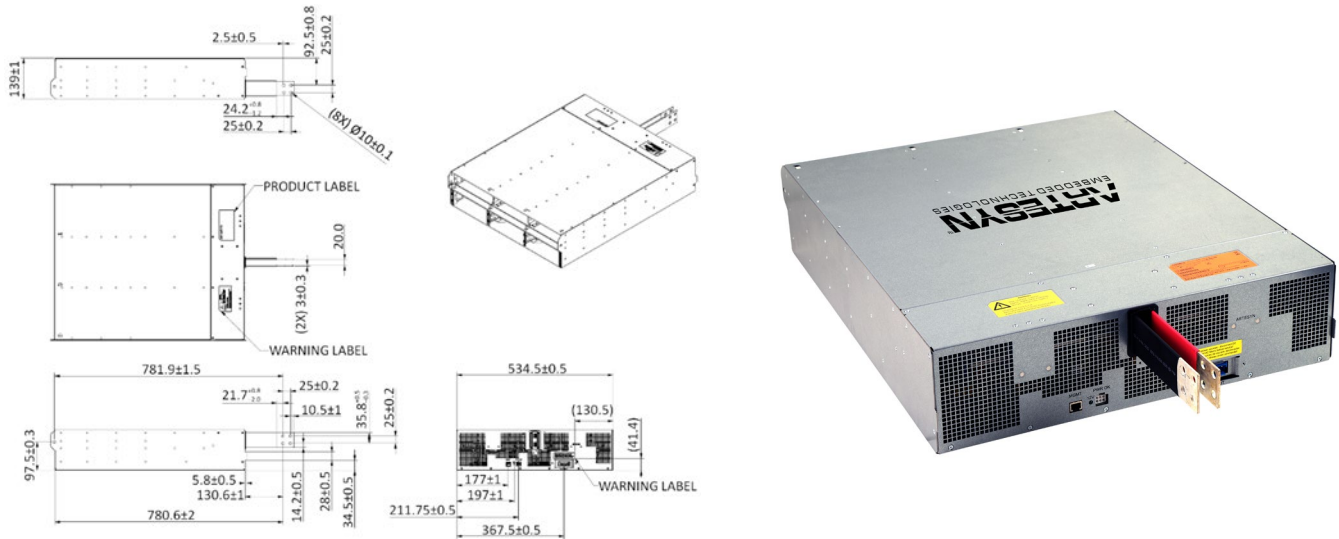
Electrical Specifications

| Input | | | |
|---------------------------------|--------|---------|--------|
| | MIN | NOM | MAX |
| Voltage VAC | 180 | 200/277 | 305 |
| Start up VAC | 182 | 186 | 190 |
| Output | | | |
| 12 V Output (Droop Share) | 12 | | 12.63 |
| 52.5 V Output | 52.395 | 52.5 | 52.605 |
| Main Output Current (12.6 V) | 0 | | 265 A |
| 52.5 V Output (A) | 0 | 5 A | 6 A |
| 12.6 V Output Ripple (pk-pk) mV | | | 120 |
| 52.5 V Output Ripple (pk-pk) mA | | | 300 |
| Power W (N+1) | | | 6600 |

Here is the detailed specification for the ORV2 Power Shelf -

<http://files.opencompute.org/oc/public.php?service=files&t=beebc9dbcb3b1194596e095fed-2480eb>

Power Supply Mechanical Outline



Mating Connector Information

| DEVICE | CONNECTOR | MATING CONNECTOR | REMARKS |
|--------|--|--|--|
| PSU | Output Busbars (Cu with 25x3mm cross-section) | TE CONNECTIVITY 1643903-3 | Mating Connector part of Shelf |
| | FCI 51939-812 | FCI 10066440-365 | Mating Connector part of Shelf |
| Shelf | MOLEX 43202-8819 | STANDARD RJ45 PLUG | Molex 43202-8819 to be replaced on future units by Adam Tech MTJ-88TX1-FSE-PG-HF |
| | MOLEX 39-30-1062 | RECEPTACLE: MOLEX 39-01-2065 CRIMP: MOLEX 45750-3111 | |
| | POSITRONIC SP5YYE48M0LN9A/AA-PA1067 | RECEPTACLE: POSITRONIC SP5YYE1F0091/AA CRIMP: POSITRONIC FC1212P2S/AA | |
| BBU | FCI 51740-1030240 | FCI 10097404-072 | Mating Connector part of Shelf |

Ordering Information

| Model | Input | Output | Type |
|-----------------|--|-------------------------------|-----------------|
| 700-014672-0000 | 277/480Vac (3W+N+PE), 3~, 50/60Hz, 22A | 12.6V 530A MAX 9V 1A MAX | ACDC-ORV2-6600W |

WORLDWIDE OFFICES

Americas

2900 South Diablo Way
Suite B100
Tempe, AZ 85282, USA
+1 888 412 7832

Europe (UK)

Ground Floor Offices, Barbary House
4 Harbour Buildings, Waterfront West
Brierley Hill, West Midlands
DY5 1LN, UK
+44 (0) 1384 842 211

Asia (HK)

14/F, Lu Plaza
2 Wing Yip Street
Kwun Tong, Kowloon
Hong Kong
+852 2176 3333

ARTESYNTM
An Advanced Energy Company

www.artesyn.com

Artesyn Embedded Technologies, Artesyn Embedded Power, Artesyn, and all Artesyn related logos are trademarks and service marks of Artesyn Embedded Technologies, Inc. All other names and logos referred to are trade names, trademarks, or registered trademarks of their respective owners. Specifications are subject to change without notice. © 2019 Artesyn Embedded Technologies, Inc. All rights reserved. For full legal terms and conditions, please visit www.artesyn.com/legal.

For more information: www.artesyn.com
For support: productsupport.ep@artesyn.com

OCP ORV2 Compliant Power Shelf DS 26Sep2019